

TWINPACK

The first orientation and compaction system for round containers.



- ✓ Compact and linear system.
- ✓ Flexible multiformat system.
- ✓ Quick and convenient format change.
- ✓ Compatible with all types of formats.
- ✓ Robust, with floodgates and safety covers.
- ✓ Intuitive computer system and interface based on Windows 10.
- ✓ Remote control via internet and remote diagnosis.
- ✓ Production statistics.

DESCRIPTION

- Flexible and linear guide on the conveyor for all types of containers, full or empty, made of any type of material and of any shape to position each bottle independently.
- The Flexiturn linear orientation system rotates each container independently by required grades. The system detects the entry position of the container and guides it without causing falls or damages.

FEATURES

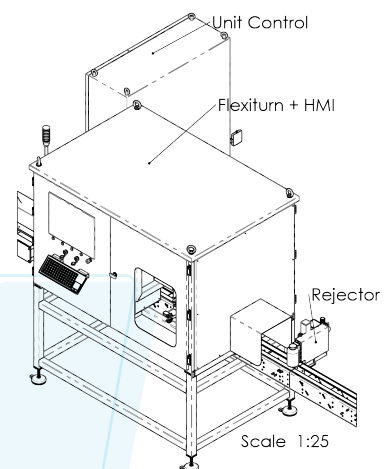
INPUT ORIENTATION IS DETECTED BY INSPECTION OF:

- mechanical shapes.
- engravings, textures, graphics, handles, etc.

ORIENTATION DETECTION TECHNIQUES:

- ultrasound, laser, photocells, infrared, inductive.
- smart cameras (no PC required).
- 1.3 mega pixel CCD B / W cameras (with PC).

ROCKWELL OR SIEMENS SERVO MOTORS



ORIENTING | INSPECTING | REJECTING

ANY KIND OF EMPTY OR FULL BOTTLES AND CONTAINERS

TWINPACK

The first orientation and compaction system for round containers.



VELOCITY

>50.000 BOTTLES/HOUR



GAP

$< \frac{1}{2} \cdot \emptyset$

VERSIONS

MULTISTEP: SS SERIES OPERATING SCENARIOS:

- bottles: standard and small size.
- minimum space between consecutive bottle walls: 25mm.
- production: low to very high performance lines.

MULTISTEP: SERIES V SCENARIOS OF USE:

- bottles: large and very large size (includes carafes).
- mechanical hygiene: it admits cleaning with water jet for lines with dripping of dairy or sticky content.
- production: low to medium high performance lines.



OPTIONAL

- unstable, light and / or empty bottles.
- installation of a section of belt with aspiration.
- separator mechanism of incoming bottles.
- Due to the nature of the system, it is necessary to ensure that the bottles reach the turning point with a minimum step. Only in this way the bottles can be rotated one by one as appropriate.



APPLICATIONS

ORIENTATION OF:

- Bottles and jars.
- Glass or plastic.
- Full or empty.
- With neck or without neck.
- Plugs.
- Circular cans.



Estudis Electro-Mecànics, S.L.

Pau Vila i Dinarés, 4-10
08192 Sant Quirze del Vallès, Barcelona, Spain
T. +34 93 720 85 40 F. +34 93 720 85 25

www.e2m.es



OUR NETWORKS



GET UPDATE!

E2m offers customized solutions to meet specific requirements of each customer.
Technical specifications updated on the website.